



WEBDYN SUN

The WebdynSun gateway is used to monitor and collect data from a solar plant installation. The gateway brings together on a single unit all the indicators from the inverters, the electric meters and the environmental sensors (sunshine intensity, temperature, wind speed, etc.).

INSTALLATION

- The first configuration is carried out via the pages of the embedded web server
- Once configuration has been carried out, data collection can start in an automatic and periodic mode
- After synchronising with the remote server, all configurations/actions can be carried out remotely: equipment, data server address, data format, collection frequency, etc.

OPERATION

- Data formatted (csv) and sent periodically through the mobile network or Ethernet to a federating server
- Triggering and transmission of alarms in real time according to the status of the variables
- Reception on the WebdynSun gateway of control files from the central server enabling it to operate local actions
- Remote updating of the configuration and firmware
- Synchronisation of all the gateway functions with the server via web services

STRONG POINTS

- Plug & Play
- Up to 100 inverters monitored per gateway
- Compatible with the inverters available on the market
- Very low consumption of data on mobile networks

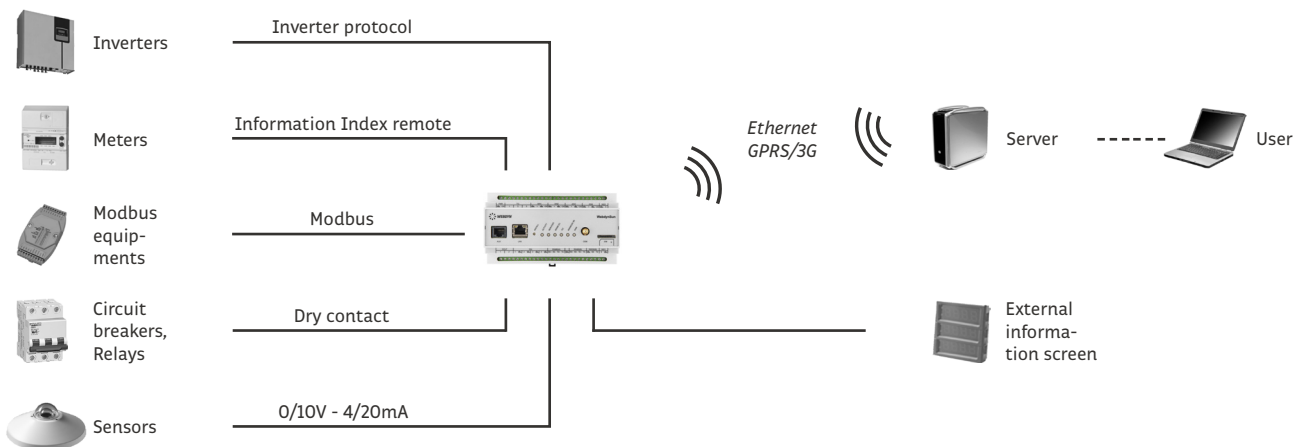
APPLICATIONS

- Real-time monitoring of electricity production
- Preventive and curative remote maintenance of the plant

BENEFITS

- Aggregation of all the data and photovoltaic parameters at a single point
- Real-time supervision
- Optimisation of electricity production efficiency

ARCHITECTURE



CHARACTERISTICS

TECHNICAL

- Serial interfaces : 1 RS485 port – 1 RS485/RS232 port
- Meter interfaces : 3 TIC meter (Télé Info Client) – 2 impulse inputs
- I/O GPIO interfaces : 4 0/10V-4/20mA analog inputs – 4 dry contact inputs - 2 dry contact outputs
- IP network interfaces : Ethernet : 10/100Mbps/s – GSM/GPRS/3G

GENERAL

- Power supply : [+12-24V] screw terminal
- T° : operating : -5°C/+50°C – Storage : -20°C/+85°C
- Dimension : 157x86x59mm Rail Din
- Certification : EMI : EN55022 class B – CE : EN50082
- Power consumption : 4W maximum

MONITORING

- Inverters bus monitoring - up to 100 inverters
- 3 electrical meters monitoring with a TIC (Télé information Client) interface
- Sensors of period of sunshine and temperature monitoring
- Dry contact input (x4) / output (x2) monitoring
- Modbus bus (indicator, circuit breaker, ...) monitoring
- 2 impulse inputs, meter index

REFERENCES

PRODUCTS

- WG0508-A05 : WebdynSun 3G Europe
- WG0508-A06 : WebdynSun 3G World

ACCESSORIES

- AC0103-00 : Rail Din 24V power supply
- AC0201-01 : GPRS bi-bands deported antenna with 5m cable
- AC0201-03 : GPRS bi-bands deported antenna with 10m cable
- AC0201-02 : GPRS bi-bands deported antenna with 20m cable



FRANCE

26, RUE DES GAUDINES
78100 SAINT-GERMAIN-EN-LAYE

+33 1 39 04 29 40

CONTACT@WEBDYN.COM

INDIA

2ND FLOOR, PERCEPT HOUSE - 1,
SANT NAGAR, EAST OF KAILASH
NEW DELHI 110 065

+91 11 41519011

CONTACT@WEBDYN.COM