

MEGA2-4G

Remote Monitoring & Control Solution

Specifications

Communication

- Two RS-485 Modbus RTU ports for communication with up to multiple Slaves
- Modbus TCP Client mode for communication with up to 20 Channels

Inputs & Outputs

- Four Digital Inputs

Power

- Wide input voltage range: 6-60V DC
- High Efficiency DC-DC converter
- Low Power Consumption of < 4 Watts

Network

- 100 Mbit Ethernet

Storage

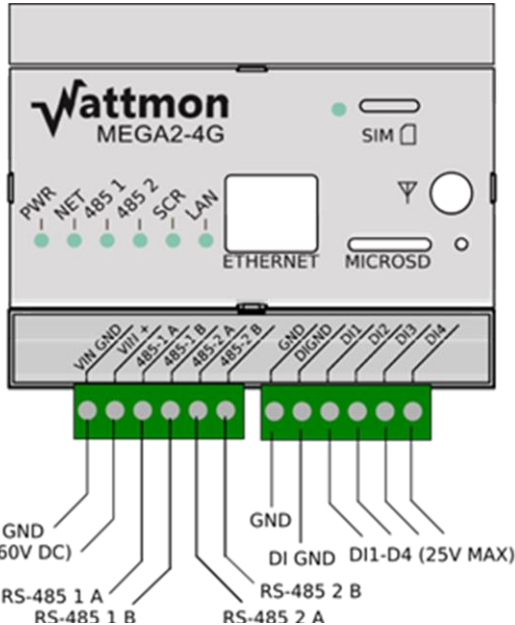
- 32 MB RAM
- 16 GB MicroSD Card

Data Collection & Export

- CSV Format
- HTTP/HTTPS / FTP/SFTP / MQTT/MQTTS

Characteristics

Enclosure Material	Polycarbonate, UL94V-0
Degree of Protection	IP20 (Finger Protected)
DIN Standard Mount	DIN EN 60529
Dimensions (L x W x H) <i>[excluding antenna]</i>	90 x 88 x 85 mm
Weight	190 g



Applications

- **Inverter Monitoring**
Inspect generation and efficiency of grid-tie and hybrid inverters.
- **AC/DC Power Monitoring**
Supervise load and performance of substations and mini-grids, and monitor battery voltage natively.
- **Weather Station Monitoring**
Observe irradiation, temperature and other atmospheric conditions.
- **Zero Feed-In & DG Protection**
Reduce active & reactive output power of multiple inverters to regulate energy generation.